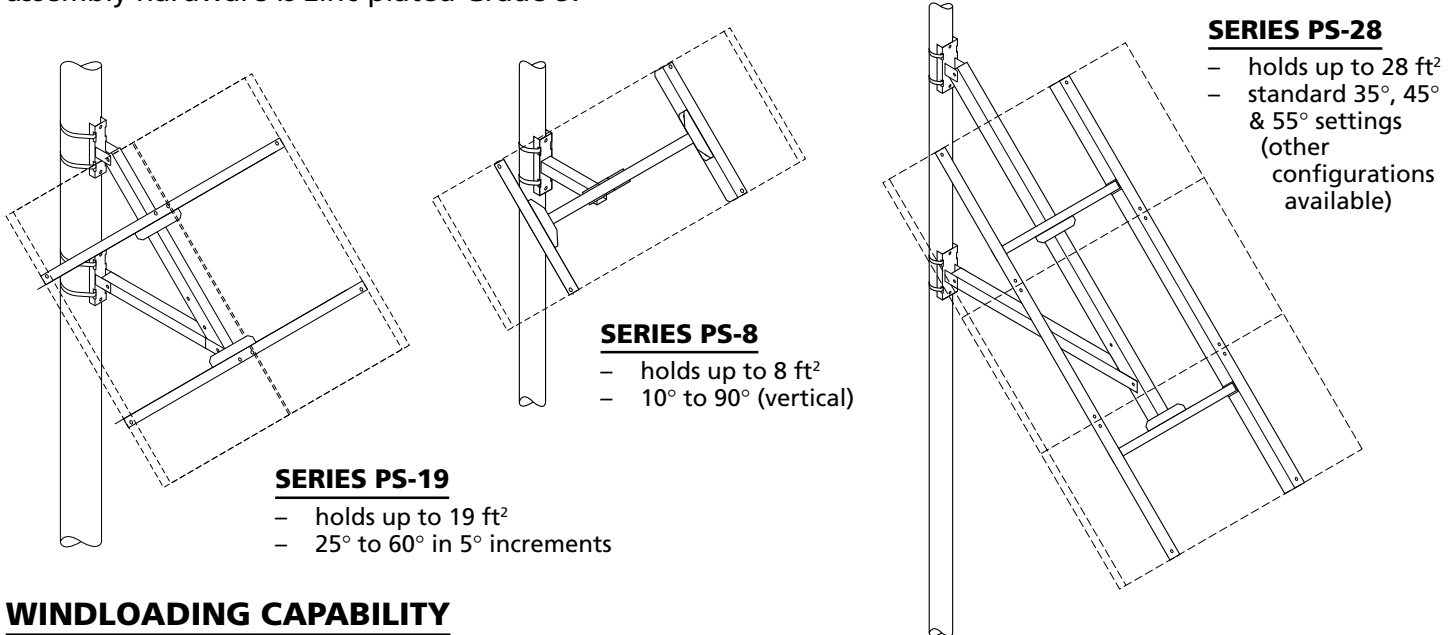


# SIDE-OF-POLE MOUNTS *(continued)*

## MATERIALS

**PAINTED STEEL (PS) SIDE-OF-POLE MOUNTS:** Pole brackets, strongbacks and support struts are made of heavy gauge steel flat bar and square tubing conforming to ASTM A36 and ASTM A500-Grade B. All parts are mig-welded, burrs are removed, corners are coped and edges are sanded. Steel parts are coated with a minimum of two coats of industrial urethane enamel.

Module Rails are made of mill-finish 6061-T6 structural aluminum angle. All holes are deburred and edges are coped and sanded. Stainless steel module mounting hardware is provided with each rack. Standard rack assembly hardware is zinc-plated Grade 5.



### **SERIES PS-19**

- holds up to 19 ft<sup>2</sup>
- 25° to 60° in 5° increments

### **SERIES PS-8**

- holds up to 8 ft<sup>2</sup>
- 10° to 90° (vertical)

### **SERIES PS-28**

- holds up to 28 ft<sup>2</sup>
- standard 35°, 45° & 55° settings (other configurations available)

## WINDLOADING CAPABILITY

**AL & PS:** Standard models are designed and warranted to withstand windloads of 30 lbs./ft<sup>2</sup> (approximately 90 mph). Designs capable of withstanding greater loads are available for high-wind areas.

## MOUNTING

**AL & PS:** Most DP&W Side-of-Pole Mounts are attached to the pole with stainless steel band clamps (provided). Two or four band clamps are used depending on the design. Series AL-22 and PS-28 come with band clamps for 3" to 5" OD poles. All other racks are supplied with clamps for 2" to 4" OD poles. Many other sizes are available; please specify pole sizes when ordering. These racks can also be u-bolted or lag-bolted to poles (square or round) and to the sides of buildings or other vertical surfaces. Brackets are also available for mounting to ROHN towers and wood telephone poles.

## SHIPPING

**AL & PS:** All standard racks can ship via UPS.

## OPTIONS

- Anodized aluminum
- Custom size band clamps
- Tamper-resistant hardware
- Combiner box mounting plates
- Hot-dip-galvanized steel
- Custom elevation angle settings
- Brackets for trees
- ROHN tower mounts
- Fixed-angle mounts

## FOR MORE INFORMATION:



**1-800-260-3792**  
**Direct Power & Water Corporation**

4000-B Vassar Drive NE

Albuquerque, NM 87107 USA

Telephone 505-889-3585 • Facsimile 505-889-3548

URL <http://www.directpower.com> • E-mail [dirpowdd@directpower.com](mailto:dirpowdd@directpower.com)

© Copyright 1998 DP&W Corporation